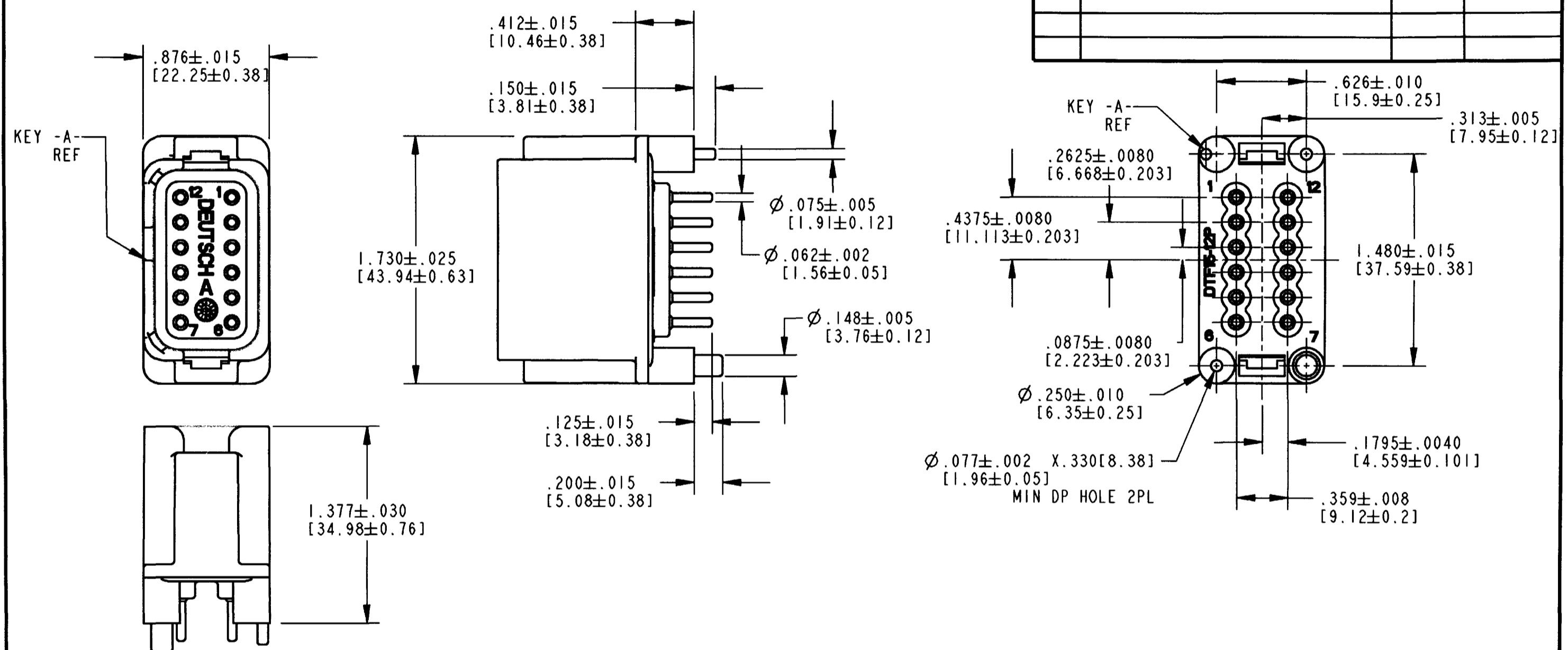


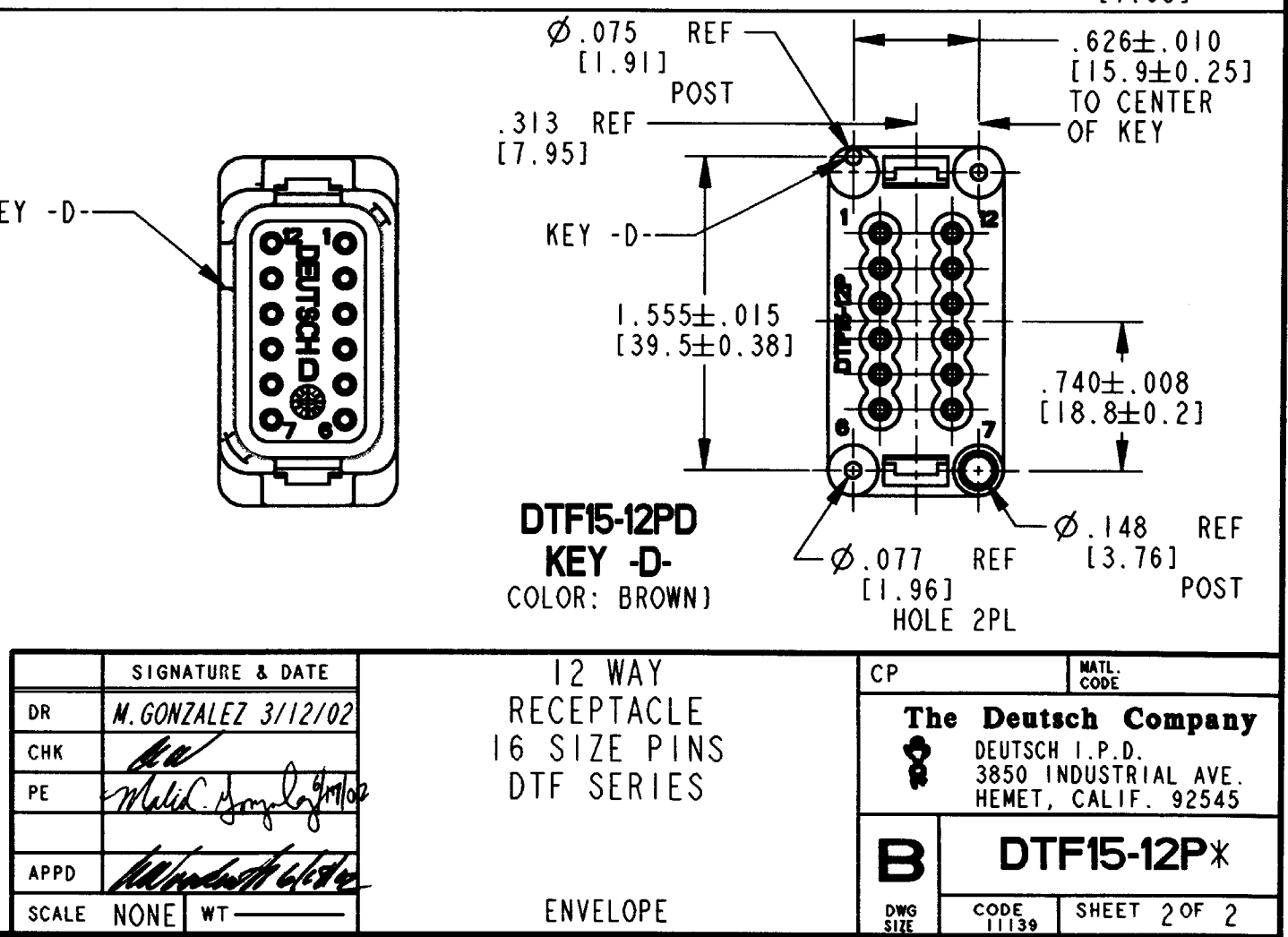
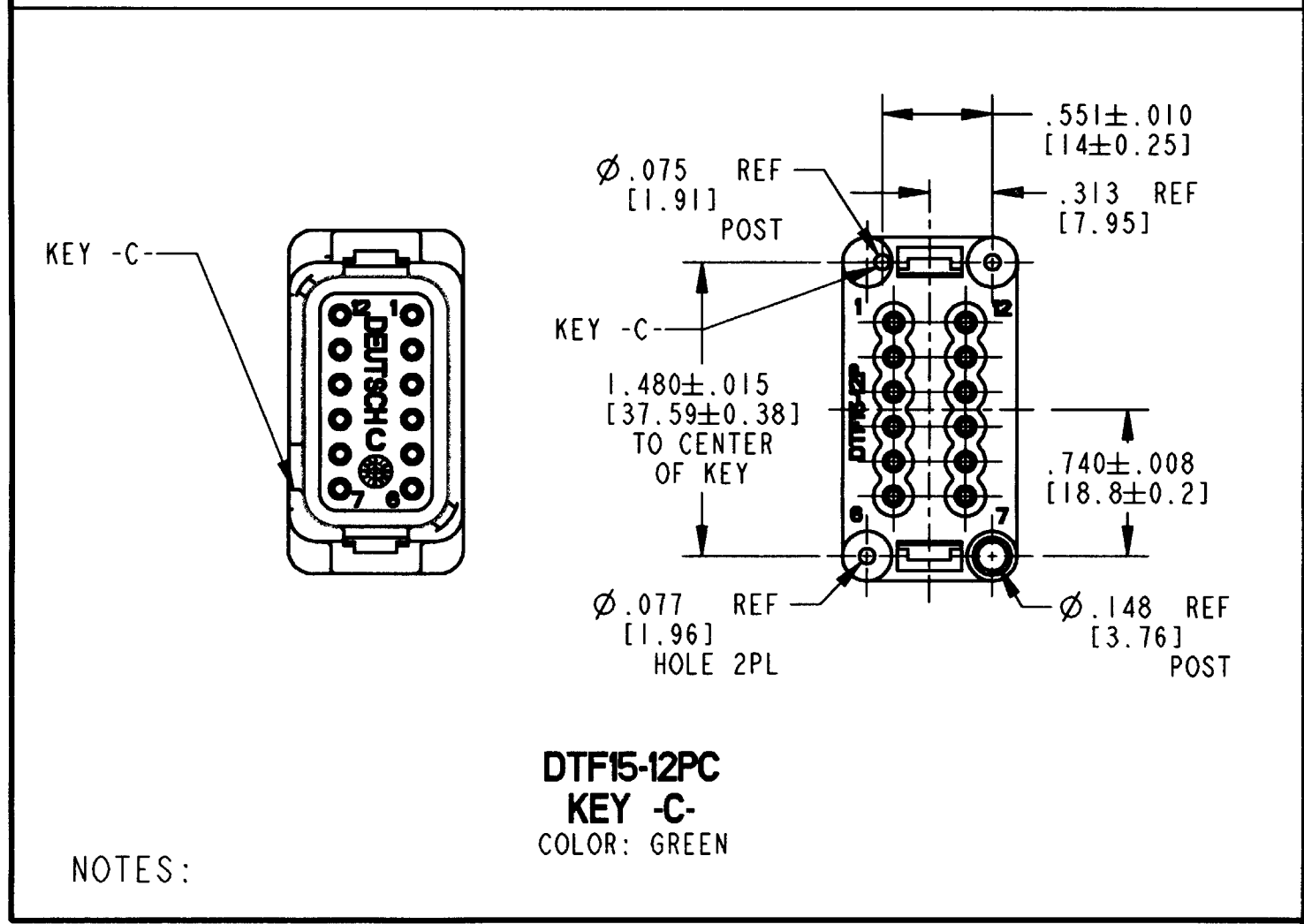
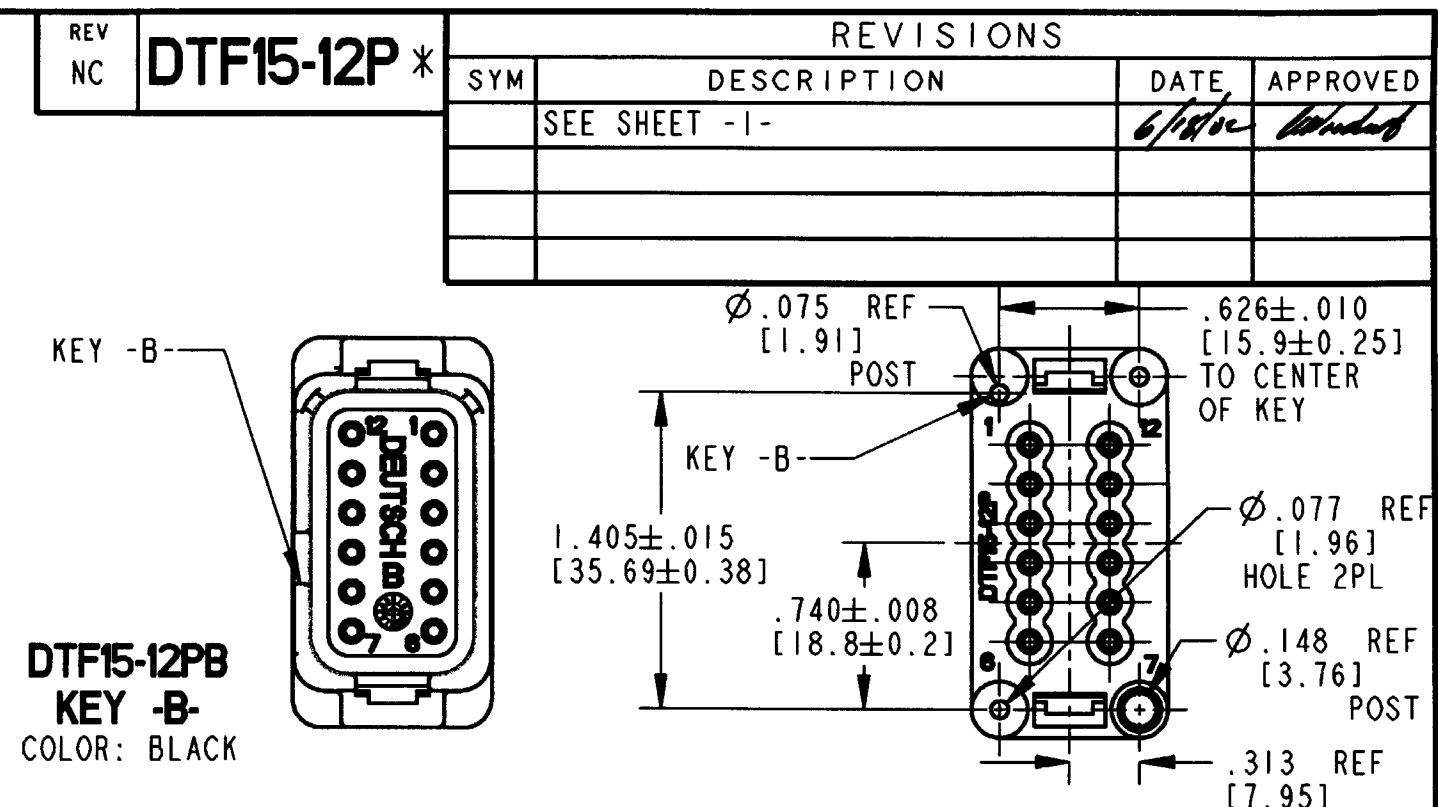
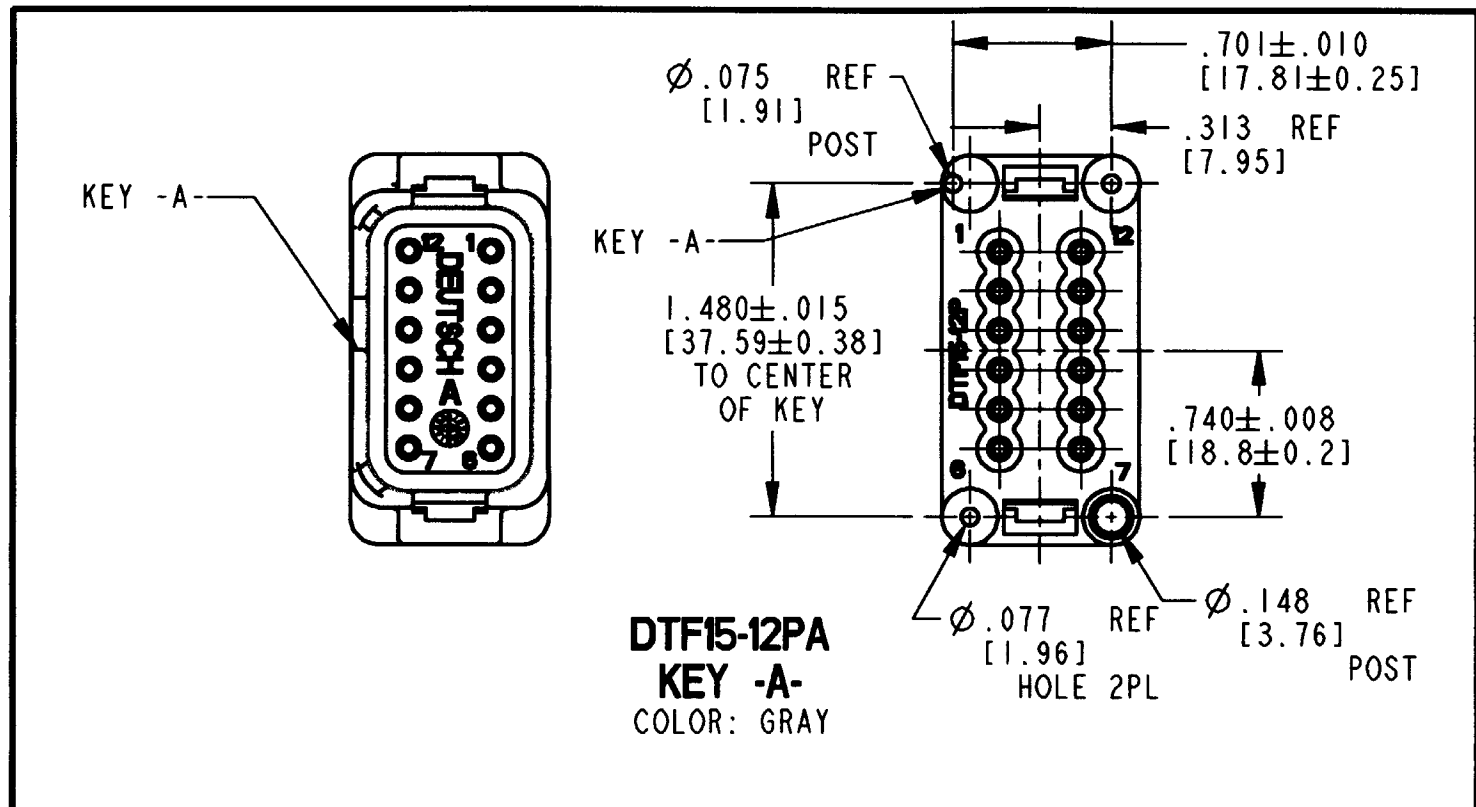
REV NC	<b>DTF15-12P*</b>	REVISIONS		
SYM	DESCRIPTION	DATE	APPROVED	
NC	NEW RELEASE PER E.O. P17673	<i>4/10/02</i>	<i>W. Gonzalez</i>	



4. THIS PART MATES WITH DT06-12S\*-\*\*\*\* AND WEDGE W12S, WHERE \* = A, B, C, D KEY AND \*\*\*\* = ALL MODIFICATIONS. (CONSULT FACTORY FOR MODIFICATIONS).
3. CONNECTOR TO BE POTTED IN PLACE. POTTING DEPTH TO BE .600 [15.24] MAX FROM PCB.
2. ALL DIMENSIONS, UNLESS OTHERWISE SPECIFIED, TO HAVE A TOLERANCE OF ±.025 [±.63].

NOTES: 1. ALL DIMENSIONS ARE IN INCHES [mm].

SIGNATURE & DATE		12 WAY RECEPTACLE 16 SIZE PINS DTF SERIES	CP	MATL. CODE
DR	<i>M. GONZALEZ 3/12/02</i>		The Deutsch Company DEUTSCH I.P.D. 3850 INDUSTRIAL AVE. HEMET, CALIF. 92545	
CHK	<i>W</i>		<b>B</b> DTF15-12P* DWG SIZE 11139 SHEET 1 OF 2	
PE	<i>W. Gonzalez 4/10/02</i>			
APPD	<i>W. Gonzalez 4/10/02</i>	ENVELOPE		
SCALE	NONE	WT		



NOTES:

SIGNATURE & DATE	
DR	M. GONZALEZ 3/12/02
CHK	<i>[Signature]</i>
PE	<i>[Signature]</i>
APPD	<i>[Signature]</i>
SCALE	NONE WT

12 WAY  
RECEPTACLE  
16 SIZE PINS  
DTF SERIES

ENVELOPE

CP	MATERIAL CODE
<b>The Deutsch Company</b>	
DEUTSCH I.P.D. 3850 INDUSTRIAL AVE. HEMET, CALIF. 92545	
<b>B</b>	<b>DTF15-12P*</b>
DWG SIZE	CODE SHEET 2 OF 2